

PERFORMANCE DATA SHEET NEMA PREMIUM NR CAN NEMA 12 - 12

Catalogue #: MPP-37

| HP | kW | Voltage | S.F. @ 60Hz | EFF. | P.F. | Frame | Design | L.R. Amps |
|----|-------|---------|-------------|-------|------|-------|--------|-----------|
| 15 | 11,19 | 575 | 1,25 | 92,4% | 0,81 | 254T | B | 93 |

| 60 Hz | | | | | | | | |
|-------|-----|-----|-----|-----|-----|-----|------|----------|
| FLA | | | | | | | Code | F.L. RPM |
| 208 | 230 | 416 | 460 | 480 | 575 | 600 | | |
| / | / | / | / | / | 15 | / | G | 1770 |

| 50 Hz | | | | | | | |
|-------|-----|-----|-------------|------------|--------------|------|----------|
| FLA | | | S.F. @ 50Hz | Efficiency | Power Factor | Code | F.L. RPM |
| 190 | 380 | 415 | | | | | |
| / | / | / | / | / | / | / | 0 |

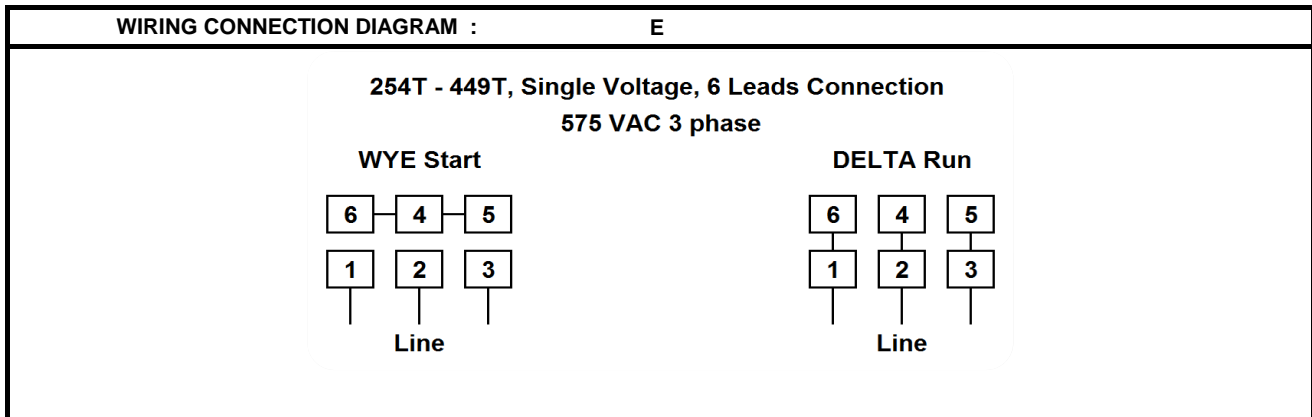
| Wgt. Lbs | PH | Duty | Insul. Class | Amb. | Elevation | Temp. Rise° C |
|----------|----|-------|--------------|------|-----------------|---------------|
| 297 | 3 | Cont. | F | 40°C | 1000M (3300 Ft) | 48 |

| % Efficiency | | % Power Factor | | Torque | | Winding Resist. Ω | Safe Cold Start (Secs) |
|--------------|-------|----------------|------|------------------|------|-------------------|------------------------|
| Full Load: | 92,4% | Full Load: | 0,81 | Full Load Ft/Lbs | 44,5 | | |
| 3/4 Load: | 92,2% | 3/4 Load: | 0,76 | Locked Rotor % | 170 | | |
| 1/2 Load: | 92,0% | 1/2 Load: | 0,66 | Break Down % | 260 | 1,04 | 20 |

| Rotor Inertia Wk2 Lb-Ft2 | Max Load Inertia Wk2 Lb-Ft2 | Shaft Material | Frame Material | DE Bracket Type | ODE Bracket Type | Enclosure | NEMA Rating | Lead Wire Size |
|--------------------------|-----------------------------|----------------|----------------|-----------------|------------------|-----------|-------------|----------------|
| 1,78 | 105 | Standard | Cast Iron | Standard | Standard | TEFC | IP55 | 12AWG |

| Ball Bearings | | Grease | Mount Type | Orientation | Paint | Sound Pressure @ 3FT | Sound Power |
|---------------|------|-----------------|------------|-------------|-------|----------------------|-------------|
| DE | ODE | | | | | | |
| 6309 | 6309 | Mobil PolyrexEm | Rigid | Horizontal | Green | 74 | 84 |

| Inverter Duty. Motor meets MG1 parts 31.4.4.2 | Constant Torque Range | Variable Torque Range | Constant HP RPM |
|--|-----------------------|-----------------------|-----------------|
| | 10:1 | 20:1 | 2700 |

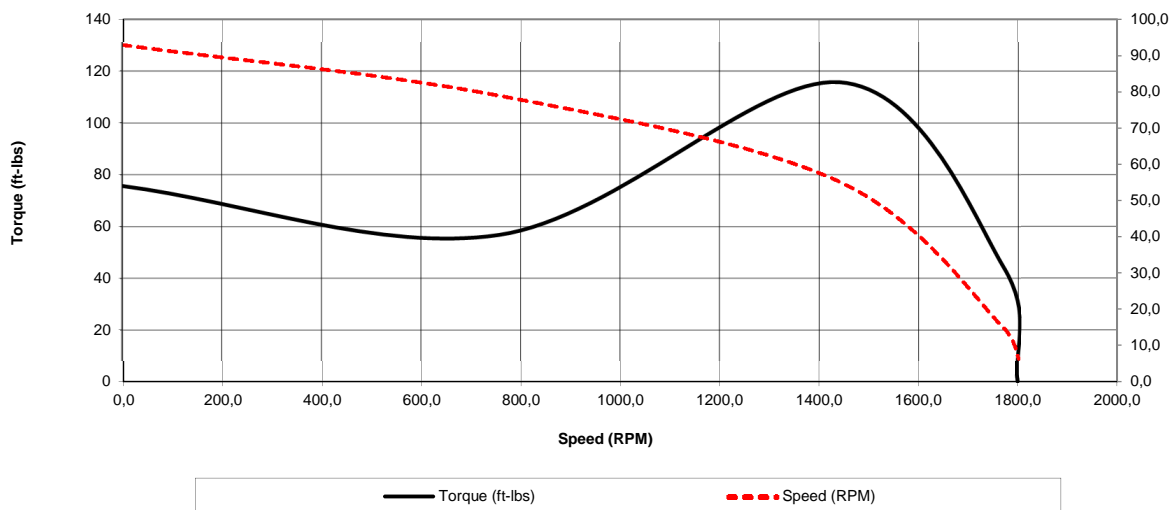


Date: 2020-02-27
 Customer: _____
 Contact: _____
 Submittee: J.C. Lavallée

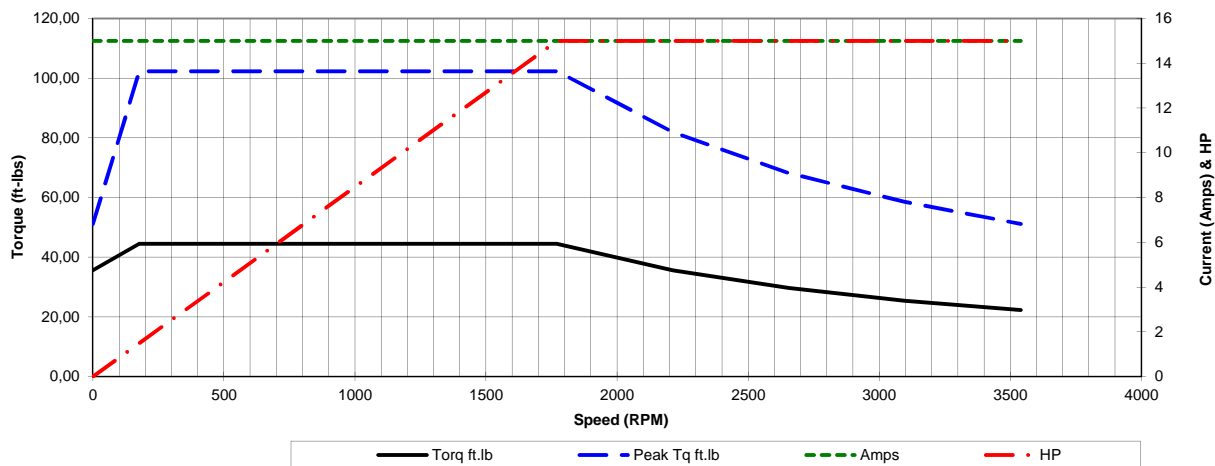
Catalogue #: MPP-37

| NEMA PREMIUM NR CAN NEMA 12 - 12 | | | | | | | | | | |
|----------------------------------|--------------|---------|-----------|------------|-----------|--------------------------------------|--------|----------------|------------------|---------------|
| HP | VAC | RPM | Enclosure | Frame | Frequency | Design | Poles | LR Code Letter | Insulation Class | Temp. Rise °C |
| 15 | 575 | 1770 | TEFC | 254T | 60 | B | 4 | G | F | 48 |
| | 0Hz | 6Hz | 15Hz | 30Hz | 45Hz | 60Hz | 75Hz | 90Hz | 105Hz | 120Hz |
| Amps | 15 | 15 | 15 | 15 | 15 | 15 | 15 | 15 | 15 | 15 |
| RPM | 0 | 177 | 442,5 | 885 | 1327,5 | 1770 | 2212,5 | 2655 | 3097,5 | 3540 |
| Torq ft.lb | 35,61 | 44,51 | 44,51 | 44,51 | 44,51 | 44,51 | 35,61 | 29,67 | 25,43 | 22,25 |
| Peak Tq ft.lb | 51,18 | 102,37 | 102,37 | 102,37 | 102,37 | 102,37 | 81,90 | 68,25 | 58,50 | 51,18 |
| HP | 0 | 1,5 | 3,8 | 7,5 | 11,3 | 15,0 | 15,0 | 15,0 | 15,0 | 15,0 |
| | Locked Rotor | Pull-Up | Breakdown | Rated Load | Idle | Duty | S. F. | Ambient | Elevation | dBA @ 1M |
| Speed (RPM) | 0,0 | 756 | 1440 | 1770 | 1800 | Continuous | 1,25 | 40°C | 3300 ft | 74 |
| Current (Amps) | 93,0 | 79,1 | 55,3 | 15,0 | 6,5 | VFD Rating: Meets MG1 parts 31.4.4.2 | | | | |
| Torque (ft-lbs) | 75,7 | 56,7 | 115,7 | 44,5 | 0,0 | C.T. | 10:1 | V.T. | 20:1 | |

Motor Speed Data



Motor Torque Capability vs RPM

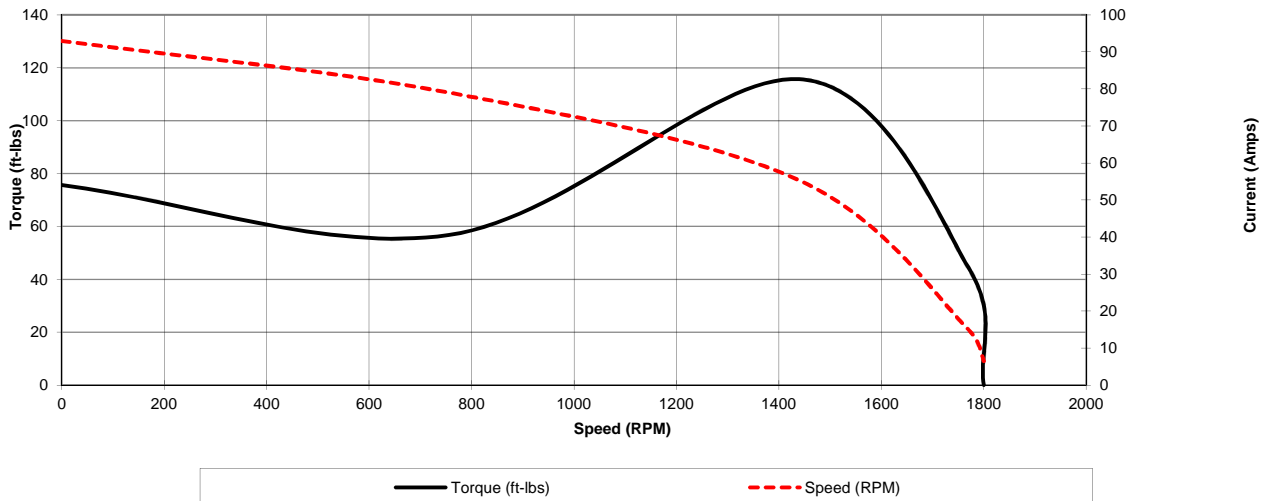


Date: 2020-02-27
 Customer: _____
 Contact: _____
 Submittee: J.C. Lavallée

Catalogue #: **MPP-37**

| NEMA PREMIUM NR CAN NEMA 12 - 12 | | | | | | | | | | |
|----------------------------------|---------------------|----------------|------------------|-------------------|-------------|---|--------------|----------------|------------------|-----------------|
| HP | VAC | RPM | Enclosure | Frame | Frequency | Design | Poles | LR Code Letter | Insulation Class | Temp. Rise °C |
| 15 | 575 | 1770 | TEFC | 254T | 60 | B | 4 | G | F | 48 |
| Load % | 0% | 25% | 50% | 75% | 100% | 125% | 150% | | | |
| Amps | 6,50 | 6,92 | 8,95 | 11,57 | 15,00 | 18,47 | 22,19 | | | |
| Torq ft/lbs | 0 | 10,77 | 21,69 | 32,68 | 43,81 | 55,10 | 66,53 | | | |
| RPM | 0 | 1792,5 | 1785 | 1777,5 | 1770 | 1762,5 | 1755 | | | |
| Eff | 0 | 90,81 | 92,00 | 92,20 | 92,40 | 92,40 | 92,40 | | | |
| PF | 0 | 44,7 | 66 | 76 | 81 | 82,3 | 82,2 | | | |
| | Locked Rotor | Pull-Up | Breakdown | Rated Load | Idle | Duty | S. F. | Ambient | Elevation | dBA @ 1M |
| Speed (RPM) | 0 | 756 | 1440 | 1770 | 1800 | Continuous | 1,25 | 40°C | 3300 ft | 74 |
| Current (Amps) | 93 | 79,1 | 55,3 | 15 | 6,5 | VFD Rating: Meets MG1 parts 31.4.4.2 | | | | |
| Torque (ft-lbs) | 75,66 | 56,75 | 115,72 | 44,51 | 0,0 | C.T. | 10:1 | V.T. | 20:1 | |

Motor Speed Data



Motor Load Data

